

## Model 3W Specification

Supply Model 3W<sup>^^^</sup>G00\* zone control panels as manufactured by ZCP Manufacturing Inc. of Calgary, Alberta, Canada. The Panel primary piping shall be 1" 304L Stainless Steel 0.035" minimum wall thickness. The 3W shall be in a lockable access type cover (gray in color), nominal dimensions for (select one):

no loop (single 1" outlet) or 2 to 7 loop panels shall be nominally 30 ½" high X 29 ½" wide X 7" deep or

8 to 11 loop panels shall be nominally 30 ½" high X 41 ½" wide X 7" deep.

The unit shall come with a pre wired pigtail plug, 6' cord. 115/1/60 with 15 Amp service shall be supplied for each panel. Each panel shall be cETLul listed and made to CSA and UL 508 standards. All wiring to the panel shall be low voltage and be wired through a clearly labeled terminal strip.

Each panel shall be designed as per the below drawing, designed to function mixing panel designed with either (select one):

A 0-10 VDC input supply temperature signal or

A tekmar™ (or equal) outdoor temperature reset control to control the outlet temperature.

Unit shall be supplied with an inlet combination globe type balance valve (and isolation valve) on the supply with pre settings and an isolation ball valve on the return.

Optional: Hi Cv master zone valve shall be supplied.

Method of control of temperature shall be a 1" ESBE 3-way mixing valve (Cv of 14) (may substitute a ¾" unit for lower flow requirements) with motor controlled by the 0-10VDC temperature signal or reset control (select one):

A Grundfos Model 26-99 (on the higher flow panels – up to 20 GPM out) three speed pump shall be provided downstream from the mixing valve, maximum flow rate with 10' of head available at the outlet of the panel is 20 GPM per panel or

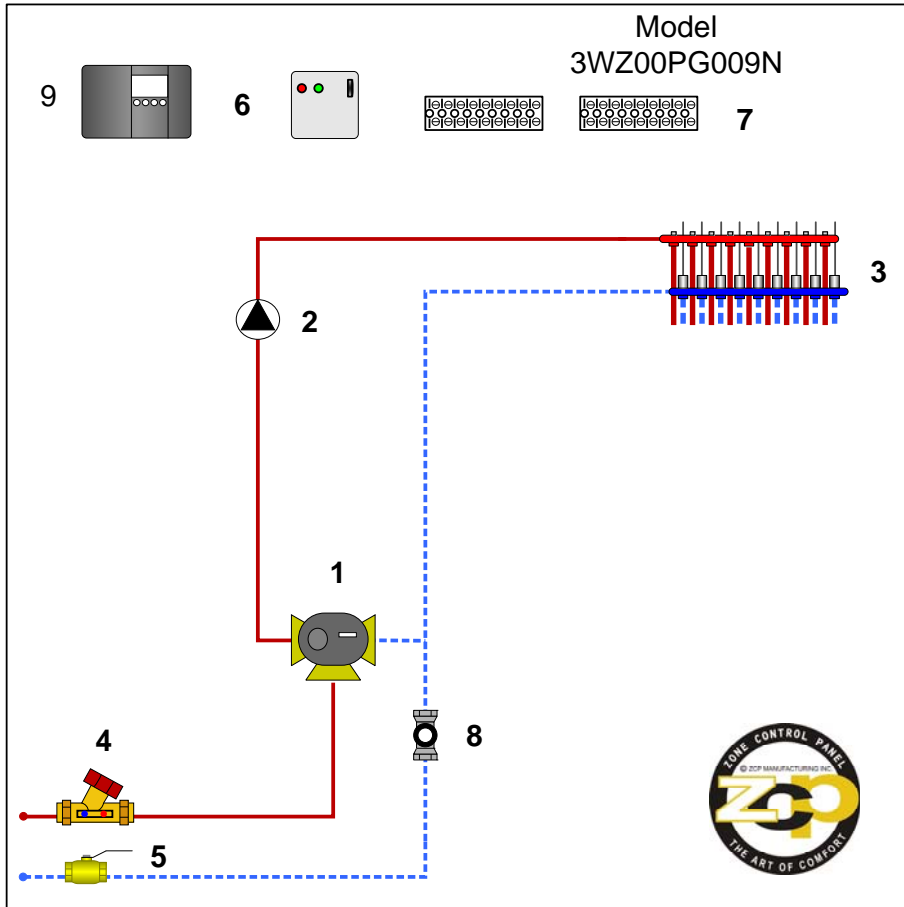
A Grundfos 15-58 three speed pump shall be supplied on the lower flow panels requiring 10 GPM of flow max with 10' of head available.

Units requiring manifolds shall be supplied with Caleffi Brass manifolds (or equal) with flow indication and balance capability, Caleffi (or equal) (select one):

Pex fitting connections supplied (1/2" or specify\_\_\_)or

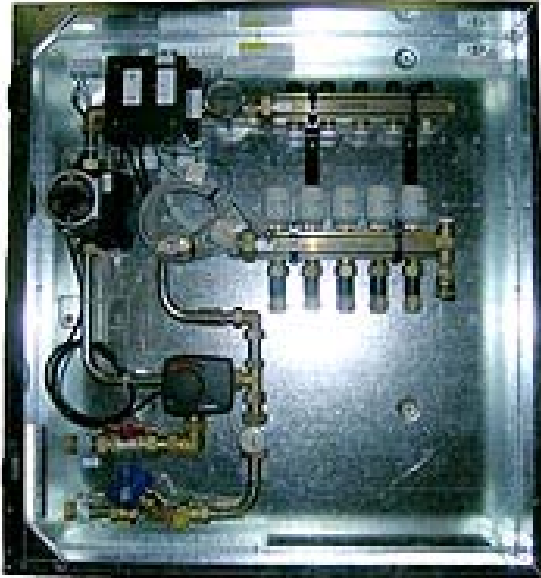
Male NPT fittings (1/2" or specify\_\_\_).

□ Optionally: Zone valve operator supplied on all \_\_\_ or some of the loops \_\_\_ with wiring connections for individual thermostats (by others) specify 2,3 or 4 wire . \_\_\_



### KEY

- 1 ESBE 1" Mixing Valve, with proportional Motor, Cv
- 2 Grundfos 26-99 three speed circulator
- 3 Brass Manifold 3/4" outlets, heat motor operators, loop balance valves
- 4 Danfoss 1" STV Balance Valve
- 5 Full port ball valve
- 6 ZCP power book
- 7 Terminal strip(s)
- 8 1" zone valve (shut off) – optional
- 9. Optional Reset Control



Typical panel above – photo shows 0-10 VDC input type panel supplied with 5 loops (and in this case 5 zone valves)

^^^ In model description **010** indicates 0-10 VDC input (for either heating or cooling), **res** would indicate outdoor temperature control (optional setpoint control could be supplied put in **set**).

\* In model description above indicates number of loops.